



MADE IN THE USA

**KEYSCO TOOLS
DIVISION OF S&H INDUSTRIES**

5200 Richmond Road • Cleveland, OH 44146
Phone 216-831-0550 • Toll Free 800-253-9726 •

Fax 216-831-9573

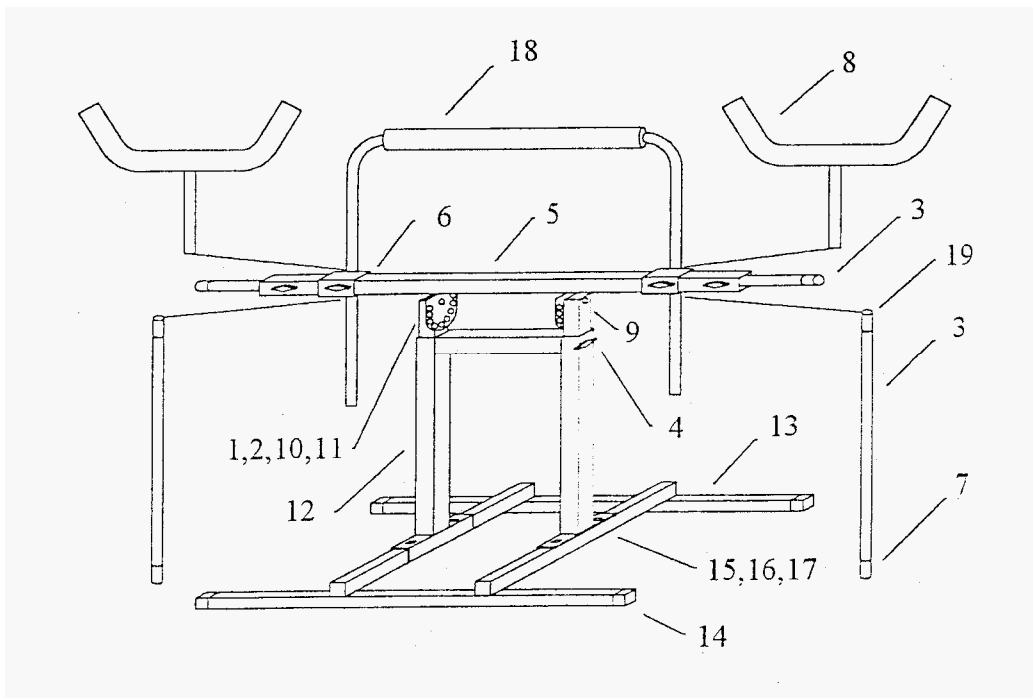
www.shindustries.com

E-Mail: www.service@shindustries.com

Rev. 1/19/12

DELUXE BUMPER STAND – 77785

The Keysco Tools Deluxe Bumper Stand holds bumpers securely, allowing the user to perform prep and finish work. Vertical and horizontal adjustment with complete 180° swivel capability is performed without the need for any special tools. Three attachments (hoop, pusher tube, inverted) allow bumpers to be positioned at multiple angles.



Key #	Part #	Description	Qty.	Key #	Part #	Description	Qty.
1	11522	Adjustment pin	2	11	10188	1/2 USS washer	4
2	10186	1/2-13 x 3 bolt	2	12	11624	Vertical support	1
3	11490	Pusher tube	4	13	11620	Base	1
4	11497	T-knob	8	14	11381	Tubing cap – square	4
5	11618	Horizontal assy.	1	15	10675	1/4-20 x 2 HHCS	4
6	11489	Slider assy.	2	16	10201	1/4-20 Hex nut	4
7	10688	Tubing cap – round	4	17	10218	1/4 USS washer	4
8	11627	Inverted support	2	18	11626	Hoop	1
9	11623	Vertical tube – square	2	19	10673	Rubber tip	4
10	10187	1/2-13 Nut	2				